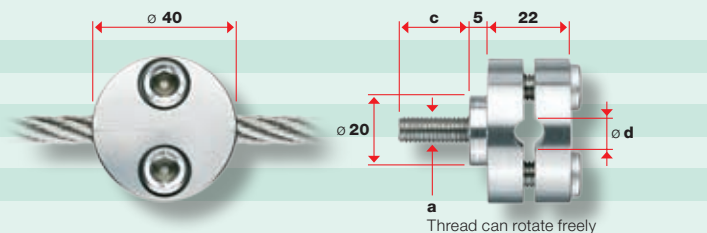


Suspension-rope clamp

AISI 316 material group

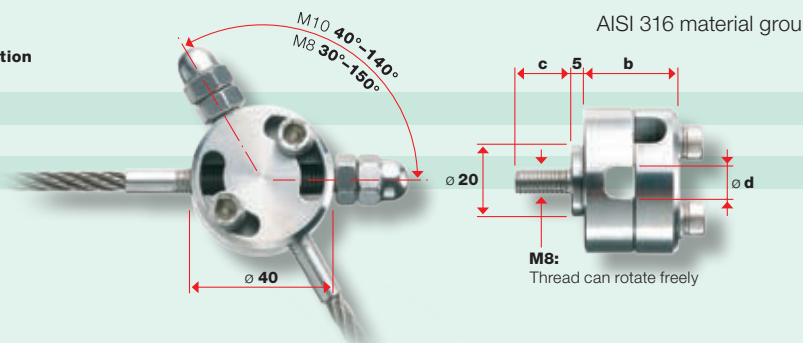
Part No.	a	c	ø d for rope
	mm	mm	mm
30858-0600-10	M8	15	6,0
30858-0600-25	M8	25	6,0
30858-0800-10	M8	15	8,0
30858-0800-25	M8	25	8,0
30858-1012-10	M12	20	10,0 – 12,0



Adjustable suspension-rope clamp

AISI 316 material group

Part No.	b	c	ø d for rope connection
	mm	mm	with external threads
30858-0600-11	26,0	15	M8
30858-0600-13	26,0	25	M8
30858-0600-12	29,5	15	M10
30858-0600-14	29,5	25	M10



Webnet wire-rope clamp G1

For attachment to mounting structure without suspension rope

AISI 316 material group

Part No.	Hole type	For Webnet rope ø
		mm
30920-0400-00	Through hole for M8	1.5-3.0
30920-0400-05	For M5 screw with countersunk head	1.5-3.0

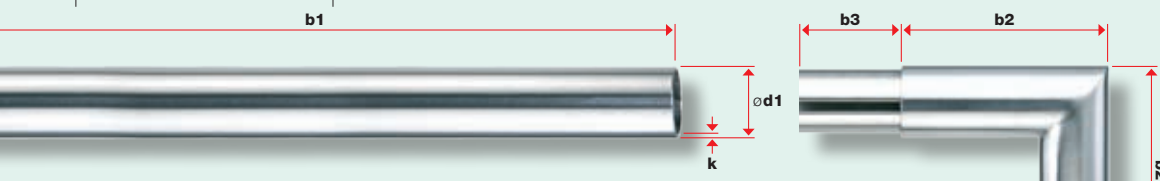


Tube, ground

Plug-in Webnet tubular frame for on-site assembly

AISI 316 material group

Part No.	b1	ø d1	k	Weight
	mm	mm	mm	kg/m
30924-0017-01	max. 2500	17.2	1.6	0,6
30924-0026-01	max. 2500	26.9	2.0	1,6
20800-0002	Costs for cut			

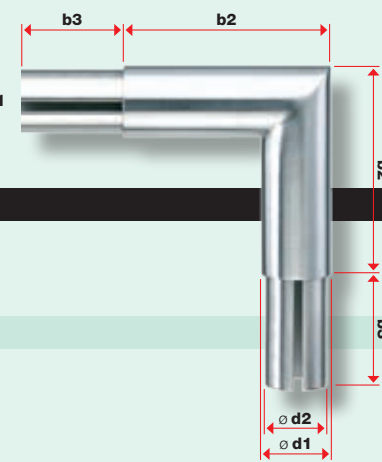


Tube elbow, ground

Plug-in Webnet tubular frame for on-site assembly

AISI 316 material group

Part No.	ø d1	ø d2	k	b2	b3
	mm	mm	mm	mm	mm
30924-0017-10	17.2	12	1.6	60	30
30924-0026-10	26.9	21.7	2.0	60	30

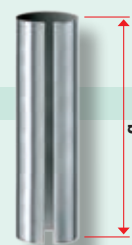


Tube connector

Connects two tubes, removable

AISI 316 material group

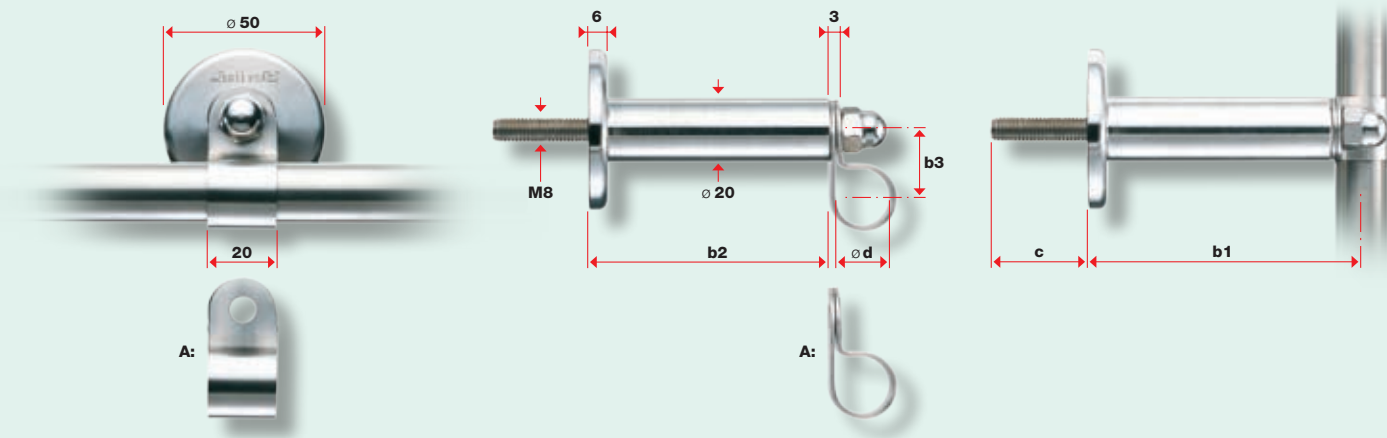
Part No.	For tube ø	b
	mm	mm
30924-0017-20	17.2	60
30924-0026-20	26.9	60



For the assembly of tubes or prefabricated tubular frames

AISI 316 material group

Part No.	Ø d for tube mm	b1 mm	b2 mm	b3 mm	c mm
30924-0017-30	17,2	68	58	20	Variable
30924-0017-31	17,2	85	75	20	Variable
30924-0017-32	17,2	110	100	20	Variable
30924-0026-30	26,9	73	58	25	Variable
30924-0026-31	26,9	90	75	25	Variable
30924-0026-32	26,9	115	100	25	Variable
30924-0017-33	17,2	A: Tube clamp, separate		20	
30924-0026-33	26,9	A: Tube clamp, separate		25	



Welded Webnet tubular frame

Fully strung tubular frames according to your drawings

AISI 316 material group

Part No.	For tube Ø mm
30924-0017-40	17,2
30924-0026-40	26,9

Welded Webnet tubular frame

Fully strung tubular frames according to your needs, with the matching assembly accessories for attachment to mounting structure.

What we need from you:

- dimensioned drawing of frame with tube Ø 17.2 or 26.9 mm
- **Webnet** order No. with rope Ø and mesh aperture **W**, Type **A** or **B**
- vertical mesh **V** or horizontal mesh **H**
- number of tube holders and spacers
- description of mounting surface
- see ordering example on **page 19**

