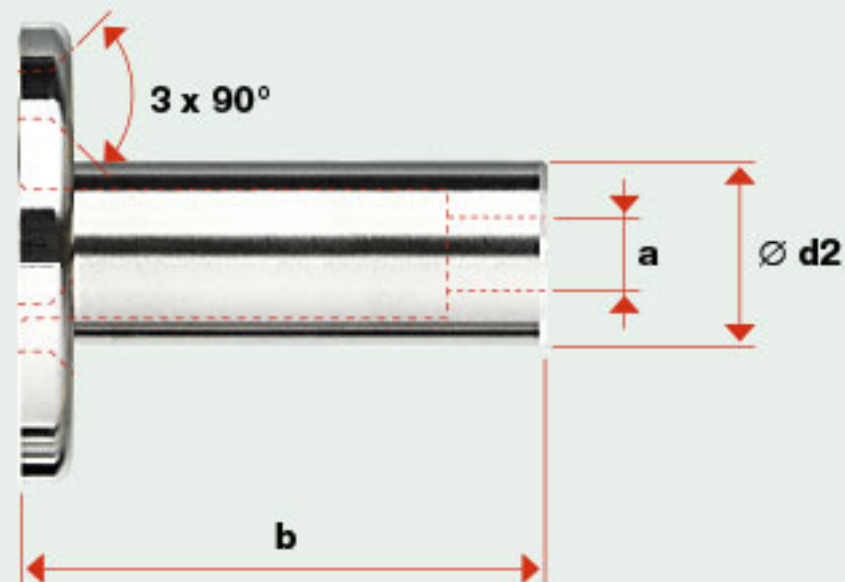


 M8



Greenguide spacer with countersunk holes

Material group: AISI 316

Price basis: Gross prices ex works Switzerland excl. VAT

[Article](#) / [Price](#) / [Load](#)

Nr.	Drawing										Weight
		a	b	b6	c1	Ø d1	Ø d2	Ø d4	Ø d5	k	Kg
30919-0058-10	DXF	M8	58			50	20	34	5.2		0.251
30919-0075-10	DXF	M8	75			50	20	34	5.2		0.169
30919-0100-10	DXF	M8		100	24	50	20	34	5.2	6	0.212